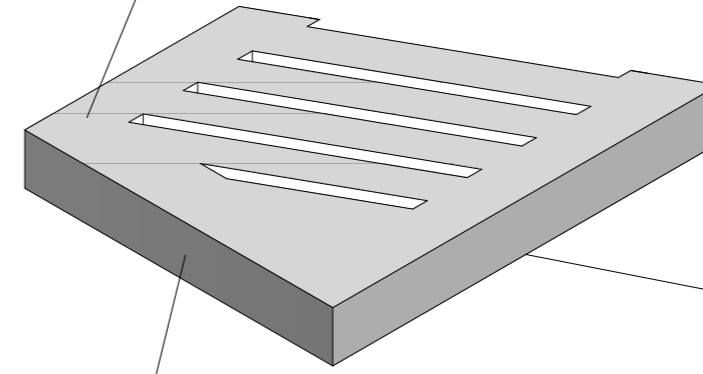


Our diagonal slats are available in various sizes, all of which are 4 or 8 tonne axle loading.

SIZES AVAILABLE		
Product Code	Length	Width
DS1676-1100	1676mm (3'7")	1100mm (3'7")
DS1676-1525	1676mm (3'7")	1525mm (5'0")
DS1905-1100	1905mm (6'3")	1100mm (3'7")
DS1905-1525	1905mm (6'3")	1525mm (5'0")
DS1905-1830	1905mm (6'3")	1830mm (6'0")
DS2134-1100	2134mm (7'0")	1100mm (3'7")
DS2134-1525	2134mm (7'0")	1525mm (5'0")
DS2134-1830	2134mm (7'0")	1830mm (6'0")
DS2362-1100	2362mm (7'9")	1100mm (3'7")
DS2362-1525	2362mm (7'9")	1525mm (5'0")
DS2362-1830	2362mm (7'9")	1830mm (6'0")
DS2591-1100	2591mm (8'6")	1100mm (3'7")
DS2591-1830	2591mm (8'6")	1830mm (6'0")
DS2819-1100	2819mm (9'3")	1100mm (3'7")
DS2819-1830	2819mm (9'3")	1830mm (6'0")
DS3048-1100	3048mm (10'0")	1100mm (3'7")
DS3048-1525	3048mm (10'0")	1525mm (5'0")
DS3048-1830	3048mm (10'0")	1830mm (6'0")

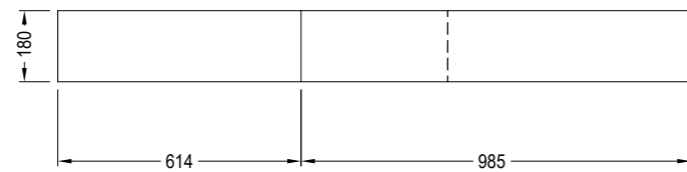
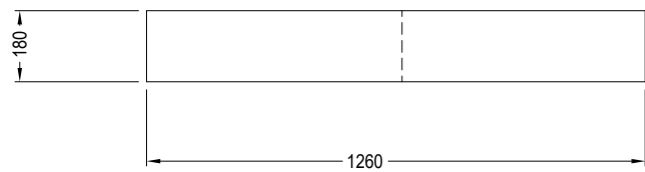
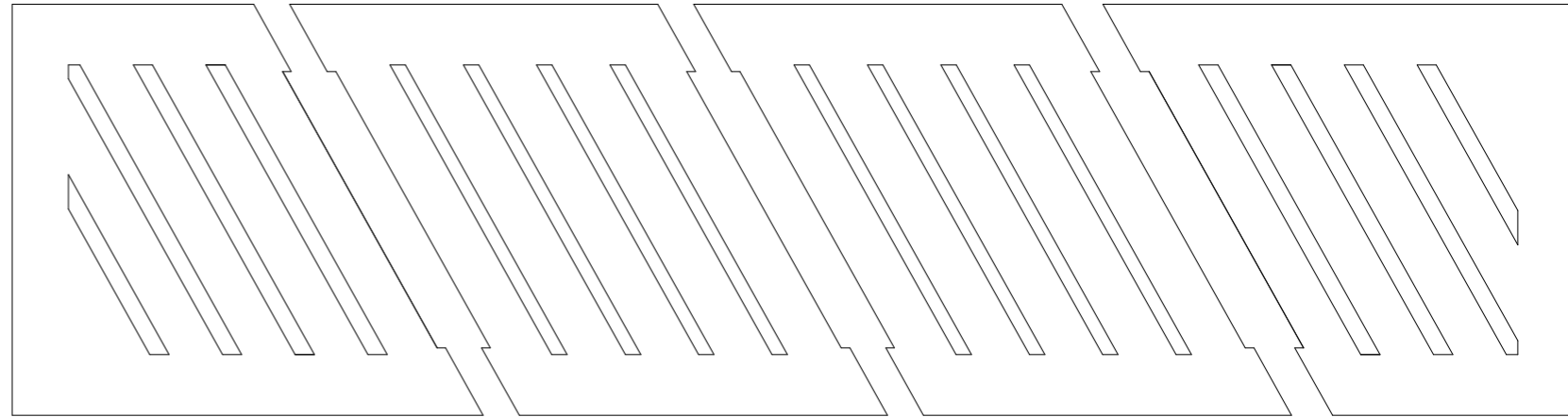
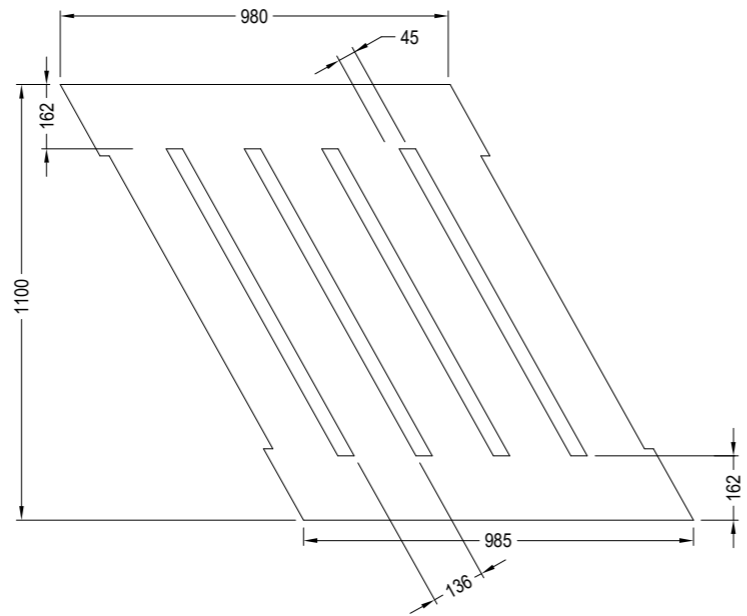
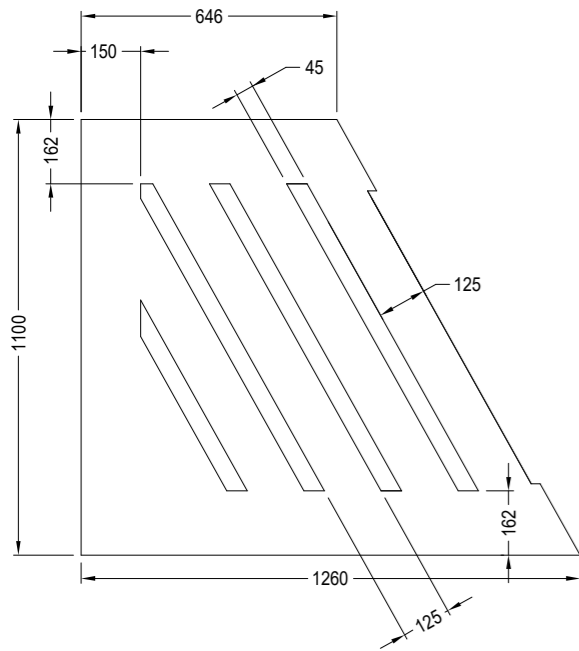
They are more cost effective than steel slats. The diagonal slat deposits the slurry better than standard gang slats when using scrapers.



All slats must be laid on a mortar bed to prevent them from rocking.



They are designed to be used above slurry channels and at the end of scraper passages.

They must be supported along the length of the slat and not the end as shown.



/		ISSUED FOR INFORMATION				
REV	MARK	DESCRIPTION	By	Date	By	Date
			CREATED		CHECKED	
		 CRAVEN CONCRETE LTD Manufacture, Supply & Installation of Quality Concrete For Agriculture And Industry WWW.CRAVENCONCRETE.CO.UK 				
DRAWING TITLE		PRECAST 1.1 Diagonal slat 900mm diagonal slat				
CONTRACT		N/A				
MODELLED BY		Rick Townson	ISSUE DATE		11/05/2020	
CONTRACT NO		N/A	SCALE		N/A	
DRAWING No		CC	REVISION No.			