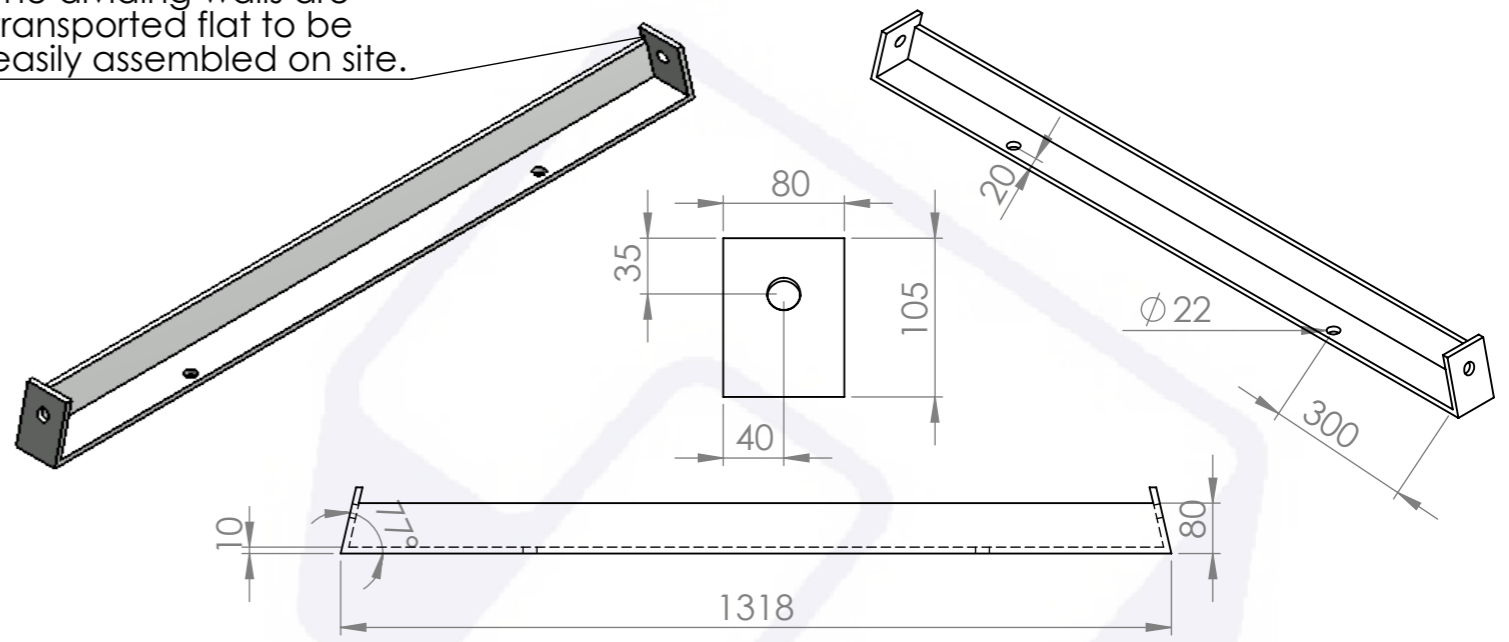


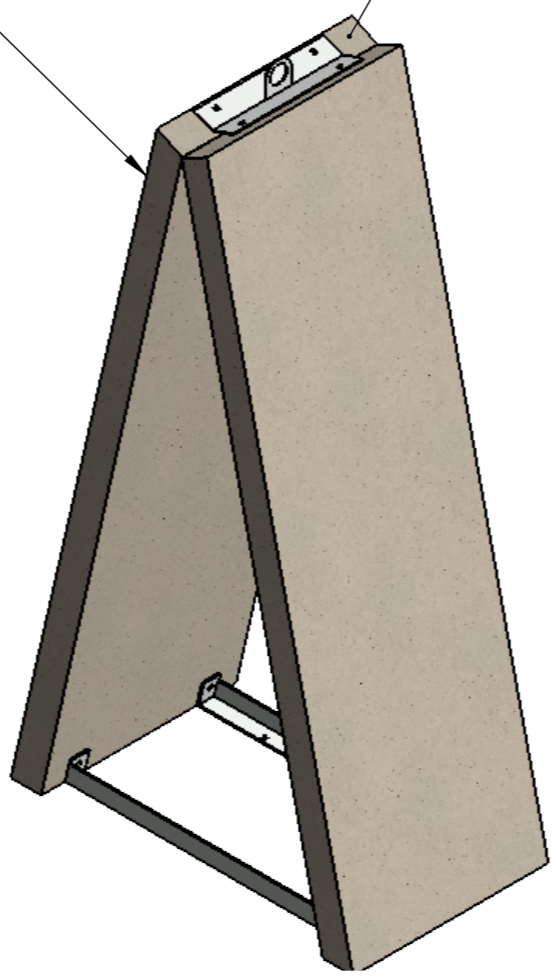
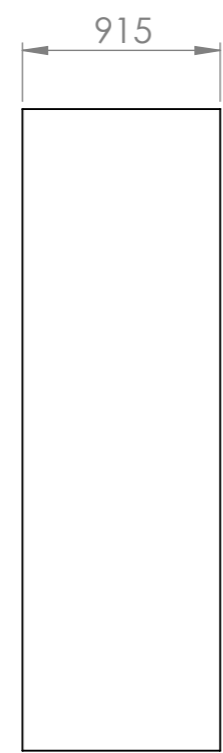
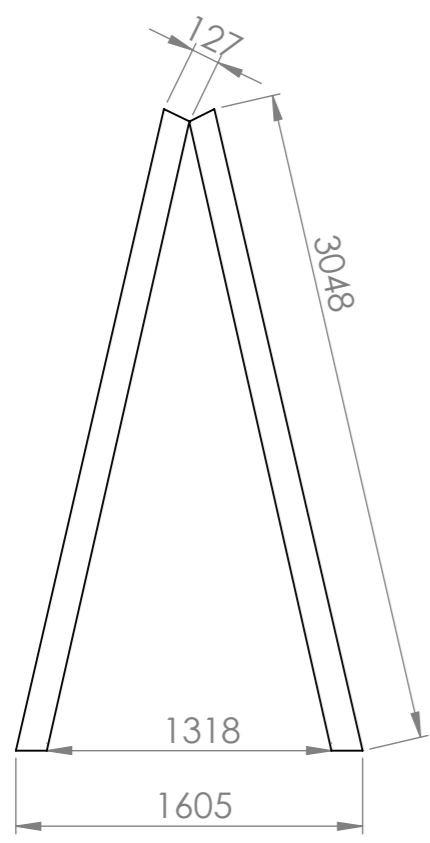
Top of each unit is joined together with a galvanised steel bracket which doubles as a lifting hook.

The dividing walls are transported flat to be easily assembled on site.



Creates a permanent or temporary storage bunker for silage, grain, potato, waste materials etc.

Can be moved easily by telehandler



SIZES AVAILABLE			
Product Code	Height	Width	Weight/Unit
AW2400-915	2400mm(8'0")	915mm(3'0")	Grain 1206kg
AW3000-915	3000mm(10'0")	915mm(3'0")	Grain 1672kg
AW3600-915	3660mm(12'0")	915mm(3'0")	Silo 2520kg

DO NOT SCALE DRAWING		REVISION	
			
CRAVEN CONCRETE LTD Manufacture, Supply & Installation of Quality Concrete For Agriculture And Industry WWW.CRAVENCONCRETE.CO.UK			
TITLE: PORTABLE DIVING A-WALL 10'0" X 3'0"			
DWG NO. AW915-3000		MATERIAL: CONCRETE	
NAME	SIGNATURE	DATE	WEIGHT: 1.672T
DRAWN SAM KIRBY		09/02/18	TOLERANCES: +/- 5mm
CHK'D			A3 SCALE:1:50 SHEET 1 OF 1