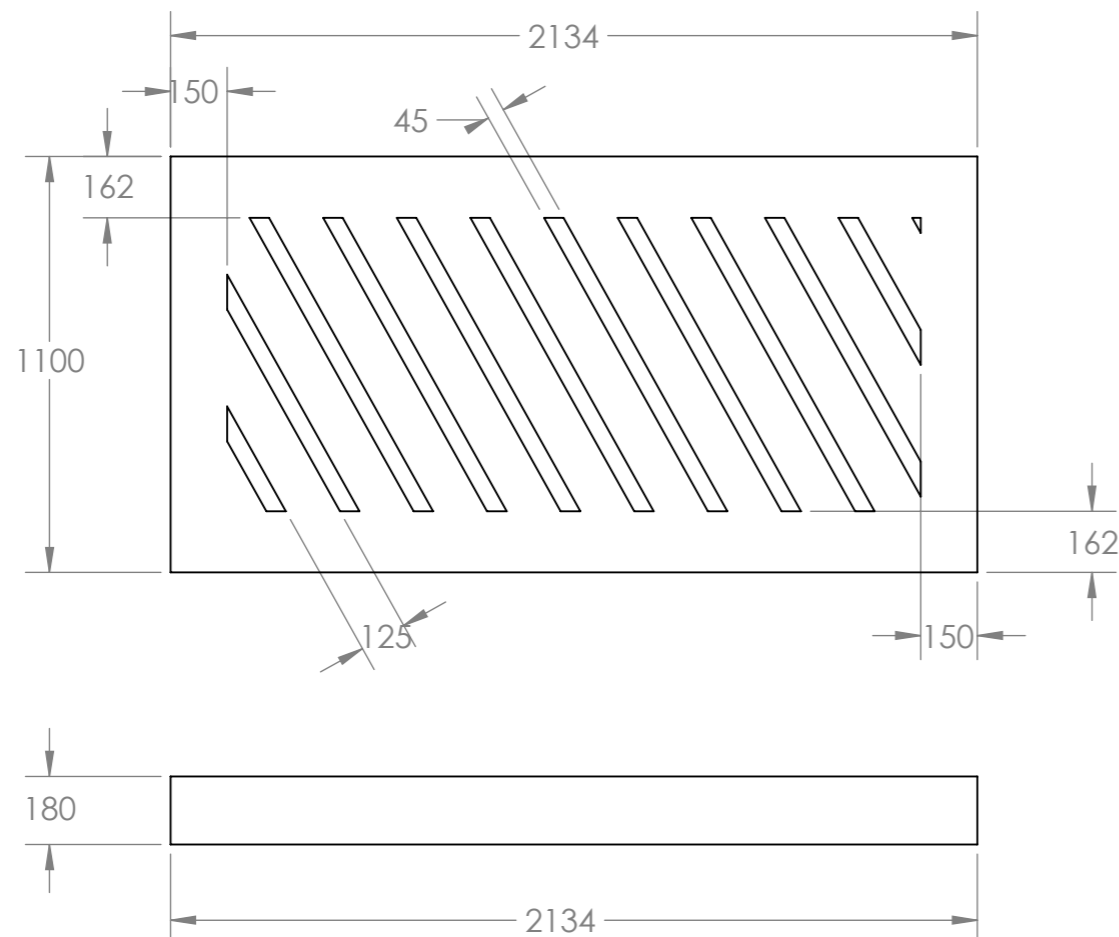


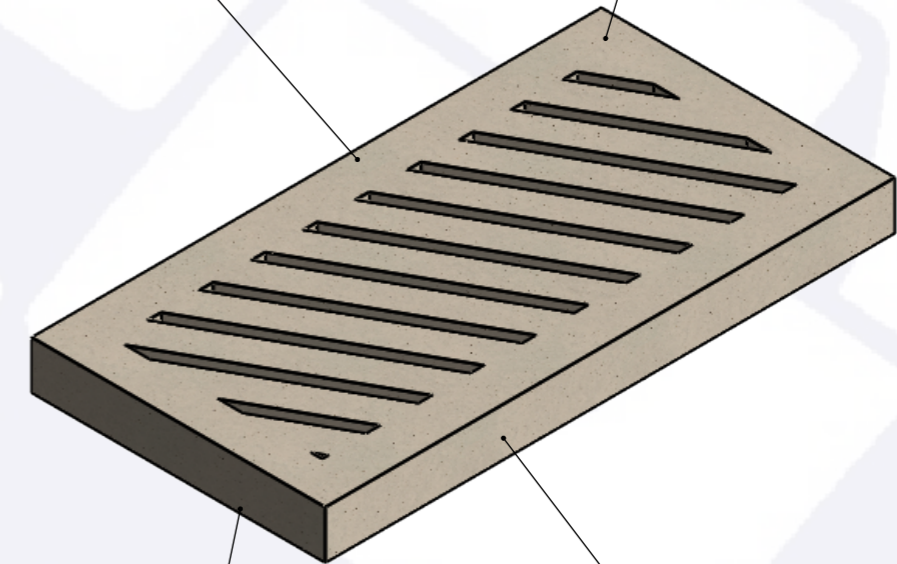
Our diagonal slats are available in various sizes, all of which are 4 or 8 tonne axle loading.

SIZES AVAILABLE		
Product Code	Length	Width
DS1676-1100	1676mm (3'7")	1100mm (3'7")
DS1676-1525	1676mm (3'7")	1525mm (5'0")
DS1905-1100	1905mm (6'3")	1100mm (3'7")
DS1905-1525	1905mm (6'3")	1525mm (5'0")
DS1905-1830	1905mm (6'3")	1830mm (6'0")
DS2134-1100	2134mm (7'0")	1100mm (3'7")
DS2134-1525	2134mm (7'0")	1525mm (5'0")
DS2134-1830	2134mm (7'0")	1830mm (6'0")
DS2362-1100	2362mm (7'9")	1100mm (3'7")
DS2362-1525	2362mm (7'9")	1525mm (5'0")
DS2362-1830	2362mm (7'9")	1830mm (6'0")
DS2591-1100	2591mm (8'6")	1100mm (3'7")
DS2591-1830	2591mm (8'6")	1830mm (6'0")
DS2819-1100	2819mm (9'3")	1100mm (3'7")
DS2819-1830	2819mm (9'3")	1830mm (6'0")
DS3048-1100	3048mm (10'0")	1100mm (3'7")
DS3048-1525	3048mm (10'0")	1525mm (5'0")
DS3048-1830	3048mm (10'0")	1830mm (6'0")



They are more cost effective than steel slats. The diagonal slat deposits the slurry better than standard gang slats when using scrapers.

All slats must be laid on a mortar bed to prevent them from rocking.



They must be supported along the length of the slat and not the end as shown.

They are designed to be used above slurry channels and at the end of scraper passages.

DO NOT SCALE DRAWING		REVISION	
			
CRAVEN CONCRETE LTD Manufacture, Supply & Installation of Quality Concrete For Agriculture And Industry WWW.CRAVENCONCRETE.CO.UK			
TITLE: DIAGONAL SLAT 7'0" X 3'7"			
DWG NO. DS2134-1100		MATERIAL: CONCRETE	
NAME	SIGNATURE	DATE	WEIGHT: 0.77T
DRAWN SAM KIRBY		10/04/18	TOLERANCES: +/-5mm
CHK'D			A3 SCALE:1:20 SHEET 1 OF 1