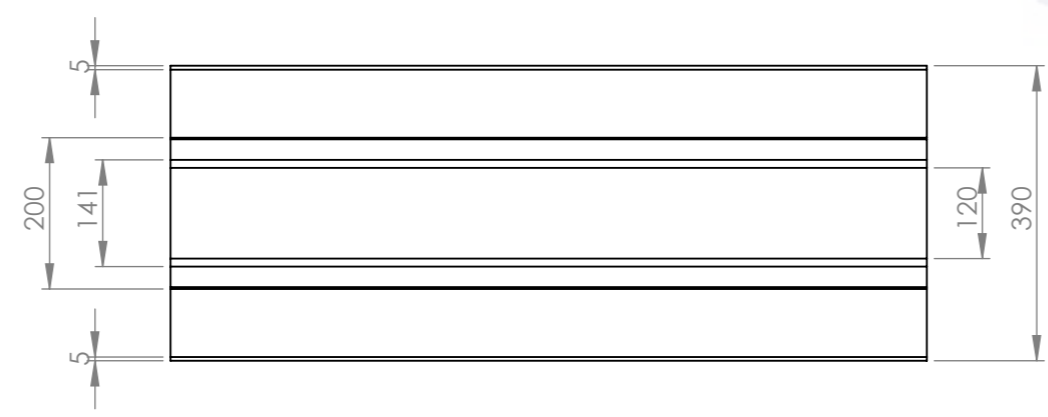
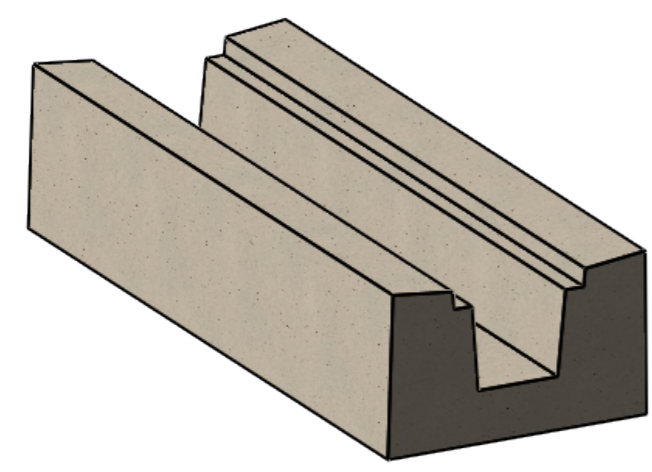
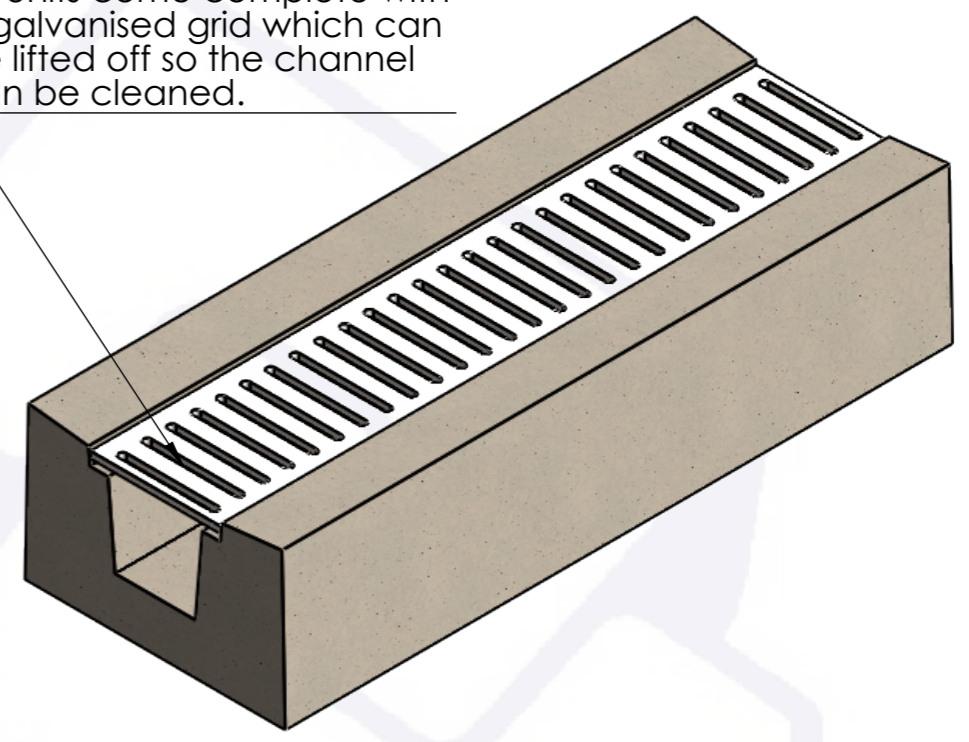
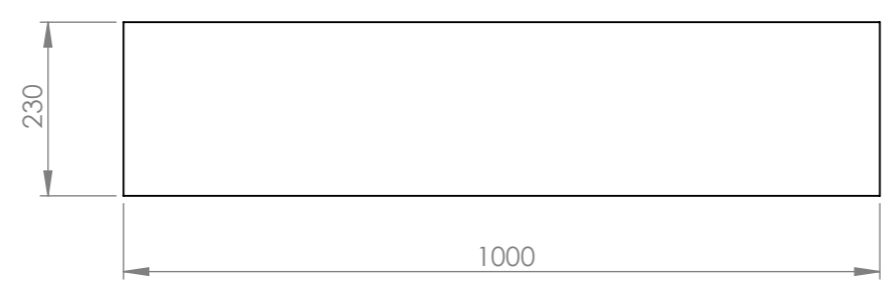
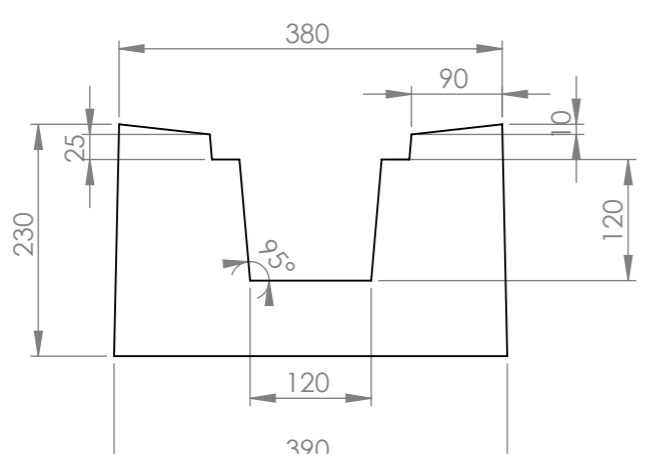




All units come complete with a galvanised grid which can be lifted off so the channel can be cleaned.



- These precast effluent drainage channels are most commonly used for across the front of silage stores and concrete aprons but the are equally in front of building doorways, across farm tracks etc. to drain excess water away.
- The channels are cast with rebates in each end so that the joints can be easily with mastic. We offer 1 & 2 meter long effluent channels.



DO NOT SCALE DRAWING		REVISION	
			
CRAVEN CONCRETE LTD Manufacture, Supply & Installation of Quality Concrete For Agriculture And Industry WWW.CRAVENCONCRETE.CO.UK			
TITLE:		EFFLUENT CHANNEL & GRID	
DWG NO.		EC1000	MATERIAL: CONCRETE
DRAWN	NAME SAM KIRBY	SIGNATURE	DATE 15/02/18
CHK'D			WEIGHT: 0.5T
			TOLERANCES: +/- 5mm
			A3 SCALE:1:10 SHEET 1 OF 1