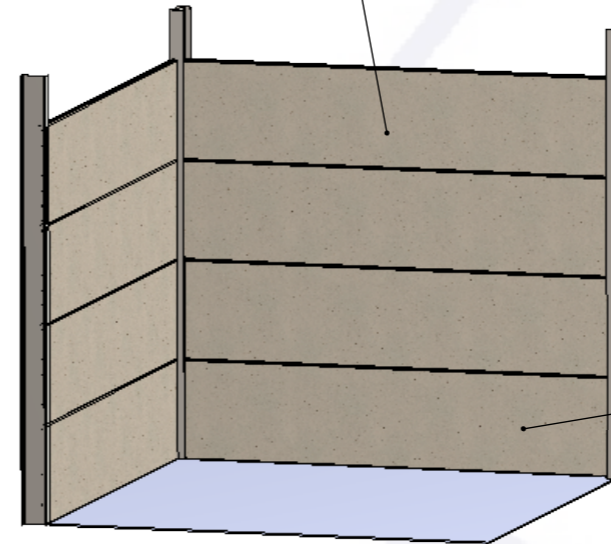
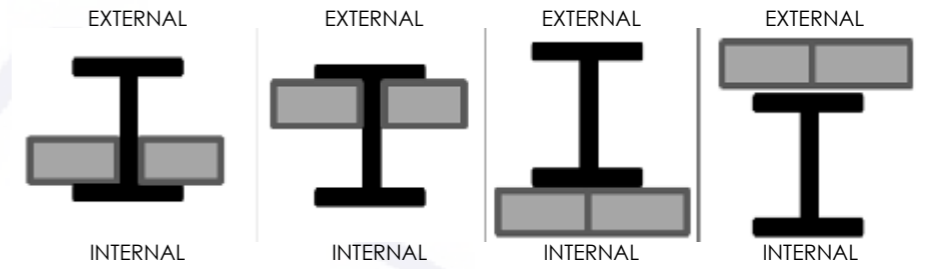


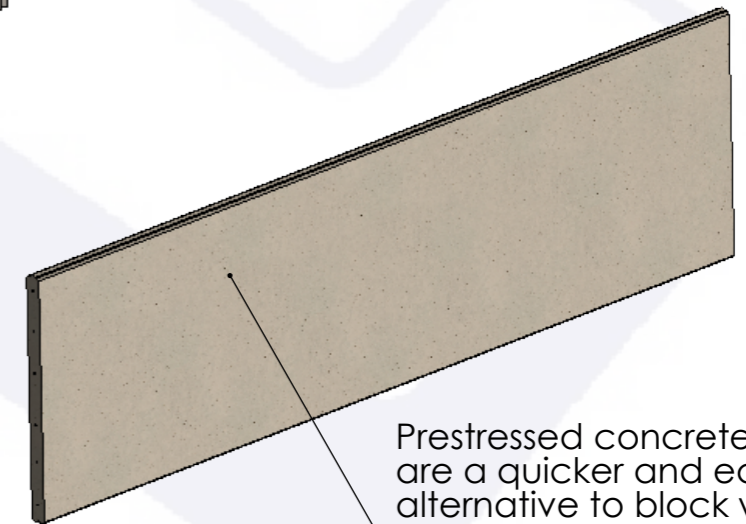
SIZES AVAILABLE			
PRODUCT CODE	THICKNESS (mm)	HEIGHT (mm)	WEIGHT per meter (T)
P080-1220SW	80	1220	0.237
P080-1220SW	80	1220	0.236
P080-1000SW	80	1000	0.146
P080-1000SW	80	1000	0.194
P080-0610SW	80	610	0.118
P080-0610SW	80	610	0.118

The panels are designed to be used for cladding buildings and as a retaining wall suitable for silage, root crops, grain and earth retaining.

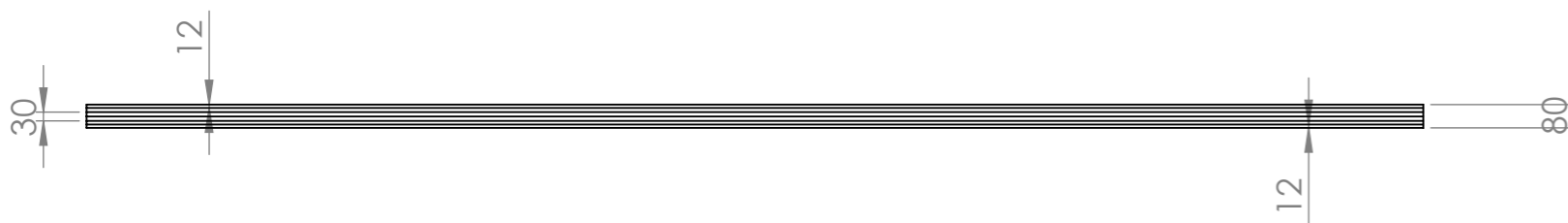
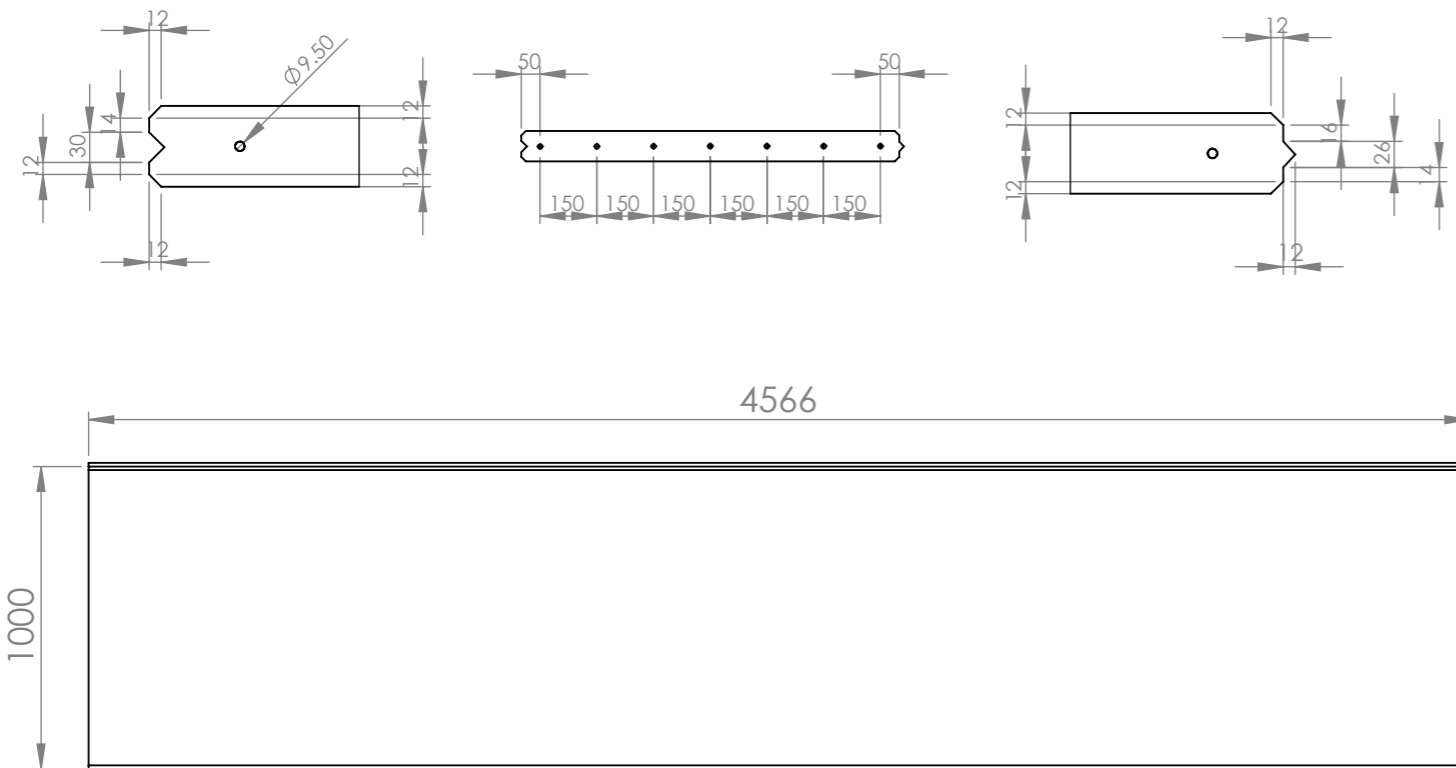
POSSIBLE FIXING METHODS:



Panels can be placed on top of each other for additional height.



Prestressed concrete panels are a quicker and easier alternative to block work and shuttering.



DO NOT SCALE DRAWING		REVISION	
		<b>CRAVEN CONCRETE LTD</b> Manufacture, Supply & Installation of Quality Concrete For Agriculture And Industry <a href="http://WWW.CRAVENCONCRETE.CO.UK">WWW.CRAVENCONCRETE.CO.UK</a>	
		TITLE: PRESTRESSED CONCRETE PANELS (3")	
DWG NO. <b>P080-1000SW</b>		MATERIAL: <b>CONCRETE</b>	
DRAWN SAM KIRBY	SIGNATURE	DATE 13/02/18	WEIGHT: 0.89T TOLERANCES: +/-5mm
CHK'D			A3 SCALE:1:50 SHEET 1 OF 1