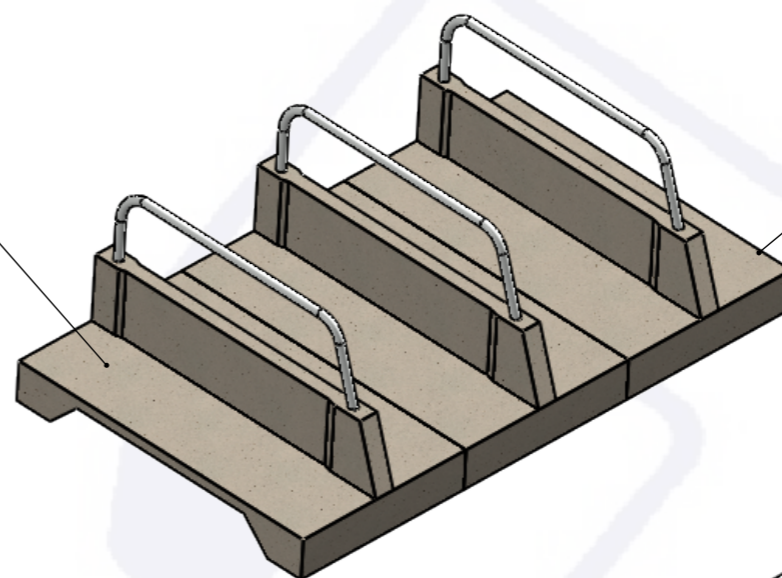
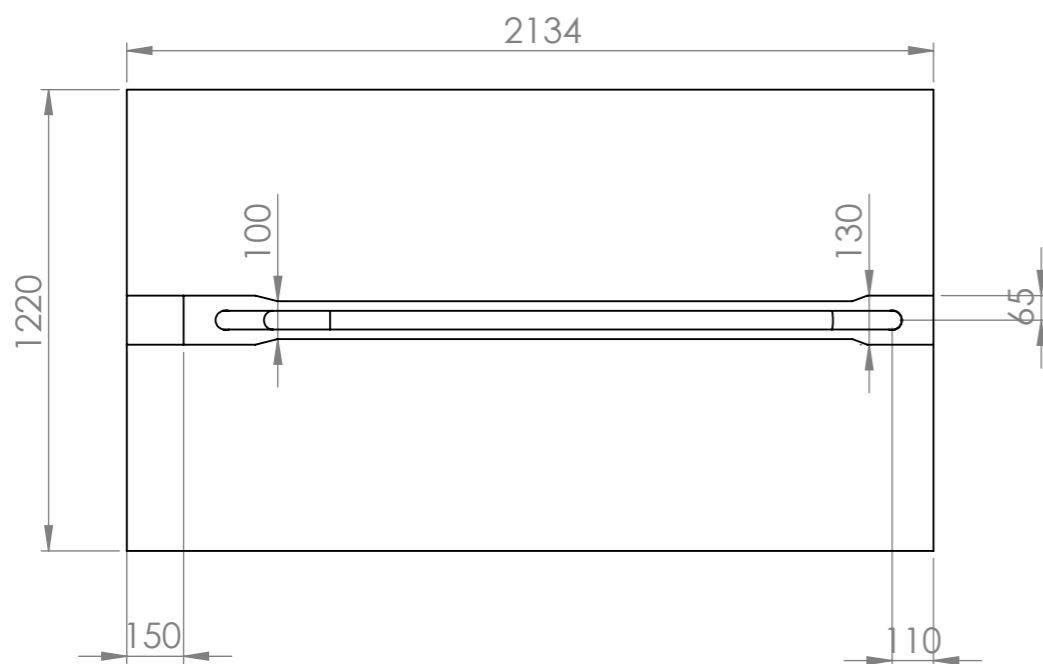


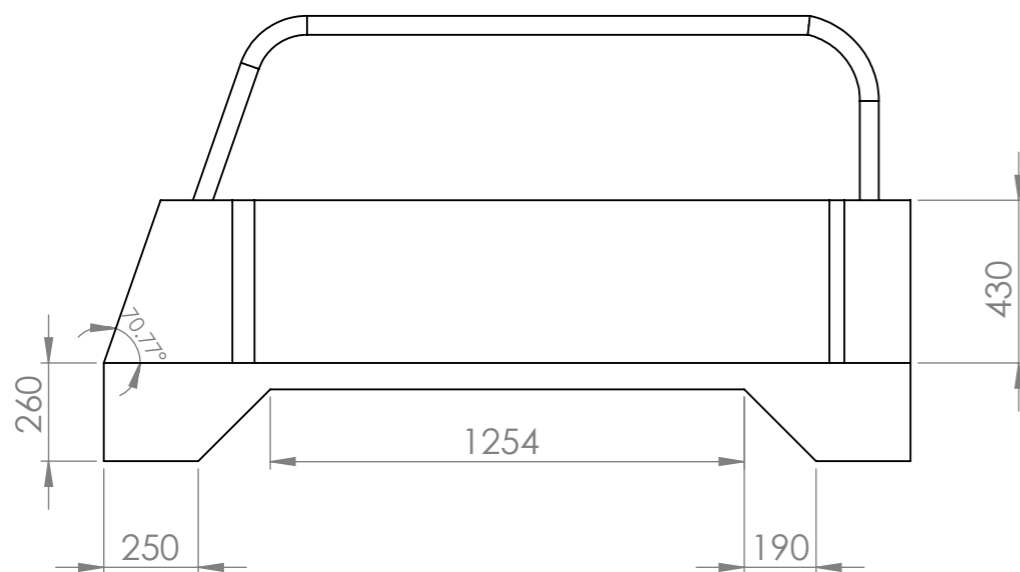
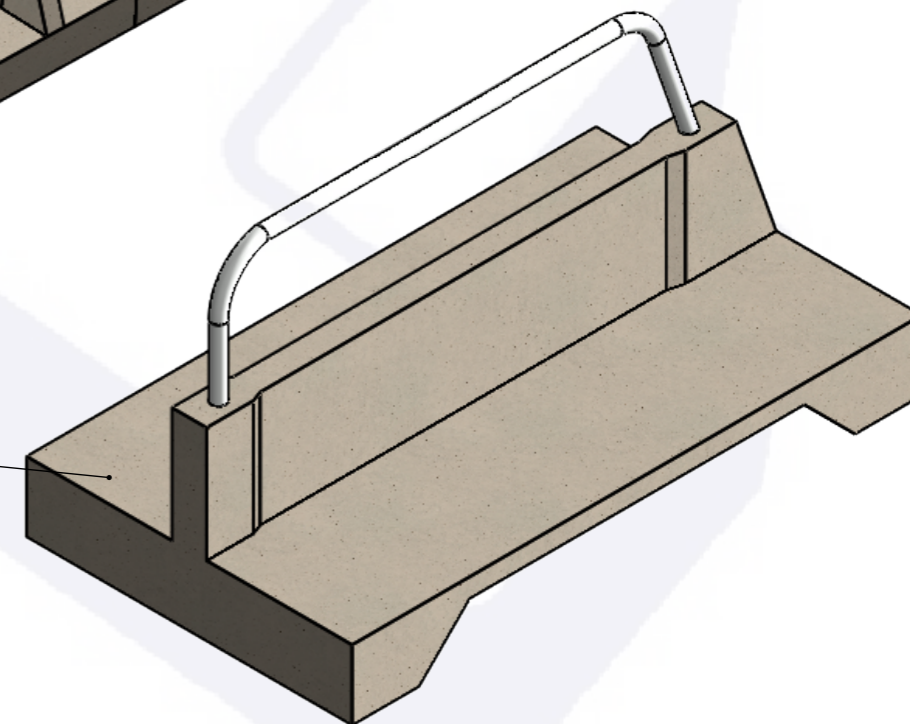
They can be set out in an existing building to provide instant cubicle housing or can also be used as part of a suspended floor system over slurry channels.



Ideal for young stock as there is no middle rail to get stuck under.



Designed with safety in mind, the concrete division in the centre of each cubicle gives the cows protection from trodden treats.



Our standard size of cubicle is 2134mm (7') x 1220mm (4') but other sizes and designs are available upon request including the popular comfort type.

| | | | |
|---|-----------|--|----------------------------|
| DO NOT SCALE DRAWING | | REVISION | |
|  | | CRAVEN CONCRETE LTD Manufacture, Supply & Installation of Quality Concrete For Agriculture And Industry WWW.CRAVENCONCRETE.CO.UK | |
| | |  | |
| TITLE: ECONOMY PORTABLE CUBICLES | | | |
| DWG NO. PC1220-2134E | | MATERIAL: CONCRETE | |
| NAME | SIGNATURE | DATE | WEIGHT: 1.1T |
| DRAWN SAM KIRBY | | 26/02/18 | TOLERANCES: +/- 5mm |
| CHK'D | | | A3 SCALE:1:50 SHEET 1 OF 1 |