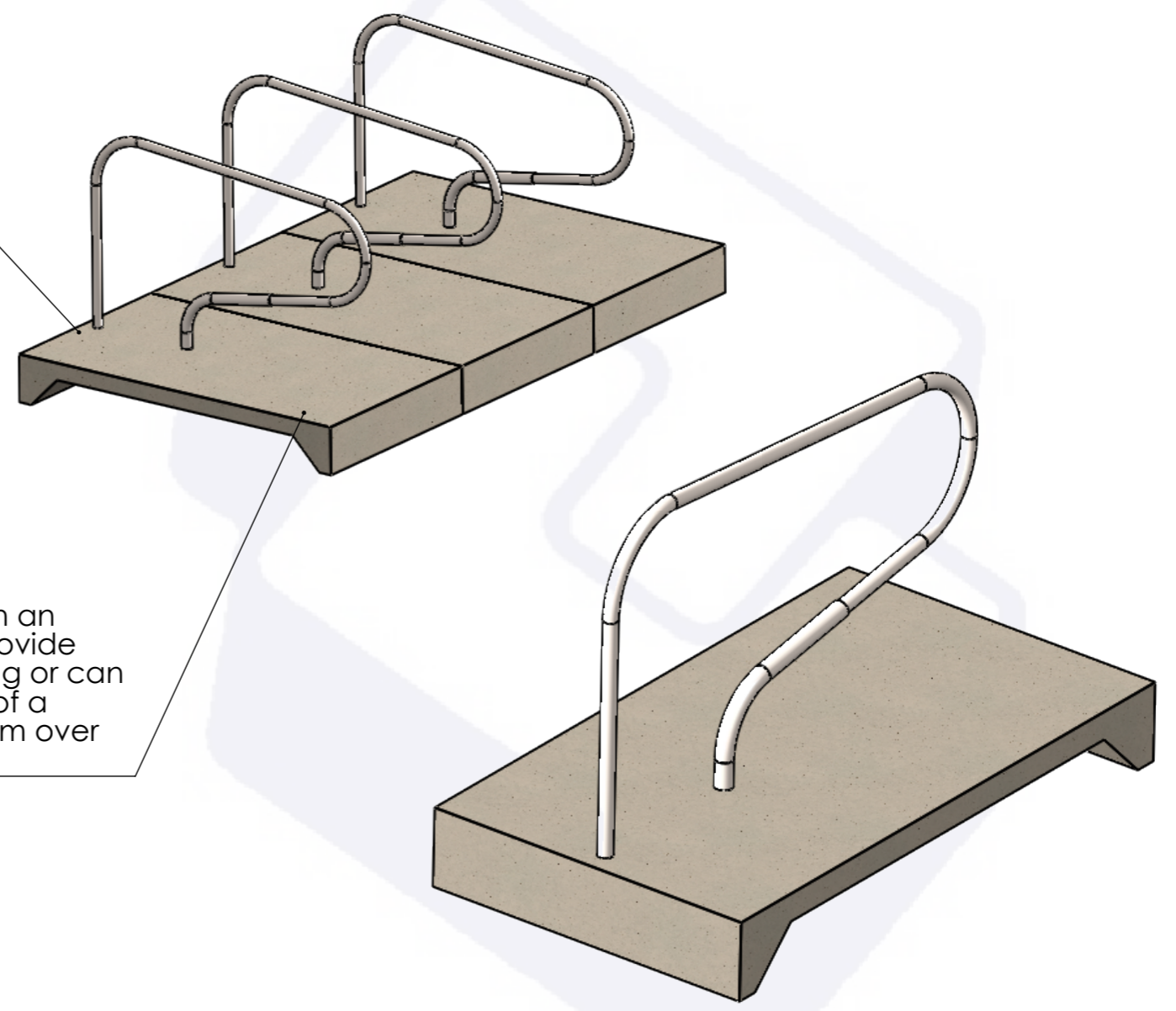


Ideal for young stock as there is no middle rail to get stuck under.

They can be set out in an existing building to provide instant cubicle housing or can also be used as part of a suspended floor system over slurry channels.

Our standard size of cubicle is 2134mm (7') x 1220mm (4') but other sizes and designs are available upon request including the popular cow comfort type.



DO NOT SCALE DRAWING		REVISION	
		CRAVEN CONCRETE LTD Manufacture, Supply & Installation of Quality Concrete For Agriculture And Industry WWW.CRAVENCONCRETE.CO.UK	
TITLE: STRAIGHT LEG MUSHROOM PORTABLE CUBICLES			
DWG NO. PC1220-2134SLM		MATERIAL: CONCRETE	
NAME	SIGNATURE	DATE	WEIGHT: 1T
DRAWN SAM KIRBY		23/02/18	TOLERANCES: +/- 5mm
CHK'D			A3 SCALE:1:50 SHEET 1 OF 1