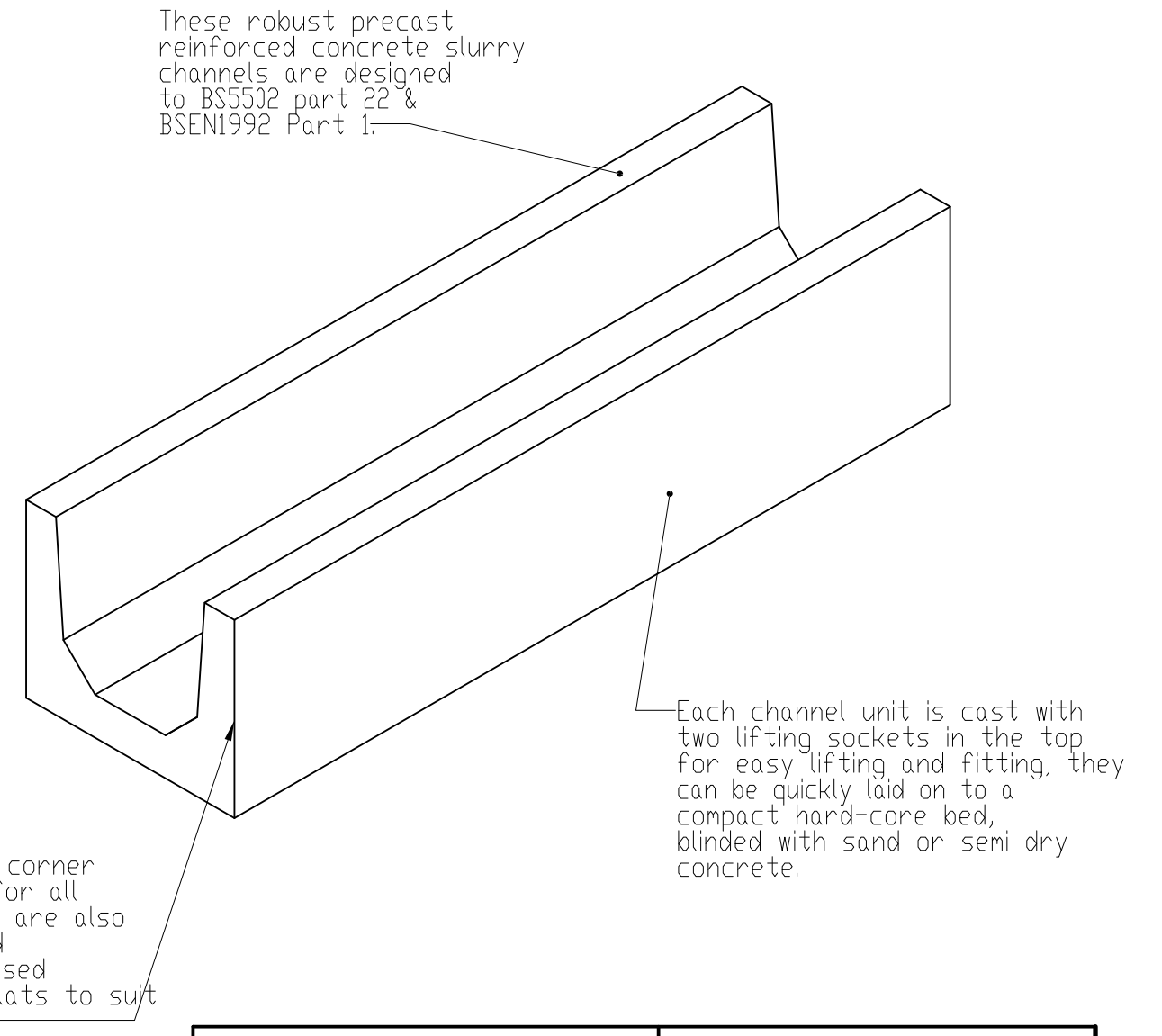
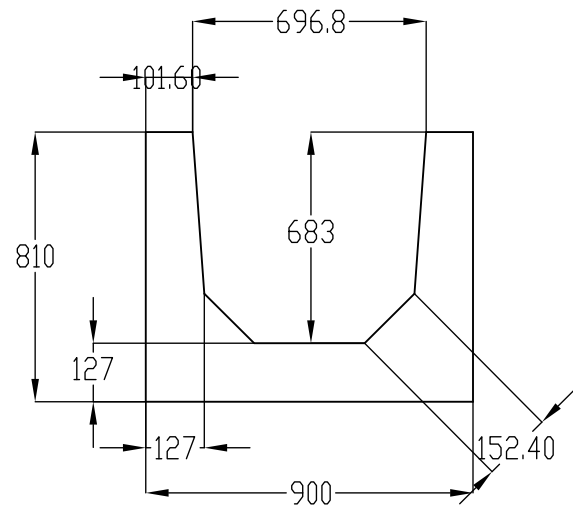


SIZES AVAILABLE				
Product Code	Width	Height	Length	Weight
SC0585-0710	28"/0.710m	23"/0.585m	96"/2.440m	1.220T
SC0810-0900	35"/0.900m	32"/0.810m	106"/2.700m	2.000T
SC1150-1100	43"/1.100m	45"/1.150m	96"/2.440m	2.600T
SC1150-1530	60"/1.530m	45"/1.150m	96"/2.440m	2.570T
SC1150-1830	72"/1.830m	45"/1.150m	79"/2.000m	2.420T
SC1150-2000	79"/2.000m	45"/1.150m	79"/2.000m	2.550T
SC1150-2440	96"/2.440m	45"/1.150m	79"/2.000m	2.250T
SC1650-1100	43"/1.100m	65"/1.650m	79"/2.000m	2.630T
SC1650-1500	59"/1.500m	65"/1.650m	79"/2.000m	3.047T
SC1650-1830	72"/1.830m	65"/1.650m	79"/2.000m	3.156T



DO NOT SCALE DRAWING		REVISION	
 <b>CRAVEN CONCRETE LTD</b> 		Manufacture, Supply & Installation of Quality Concrete For Agriculture And Industry <a href="http://WWW.CRAVENCONCRETE.CO.UK">WWW.CRAVENCONCRETE.CO.UK</a>	
TITLE: 35" X 32" SLURRY CHANNEL			
DWG NO. SC0810-0900		MATERIAL: CONCRETE	
NAME	SIGNATURE	DATE	WEIGHT: 1.22T
DRAWN: RODGER HERD		29/03/18	TOLERANCES: +/-5mm
CHK'D			A3 SCALE: 1:20 SHEET 1 OF 1