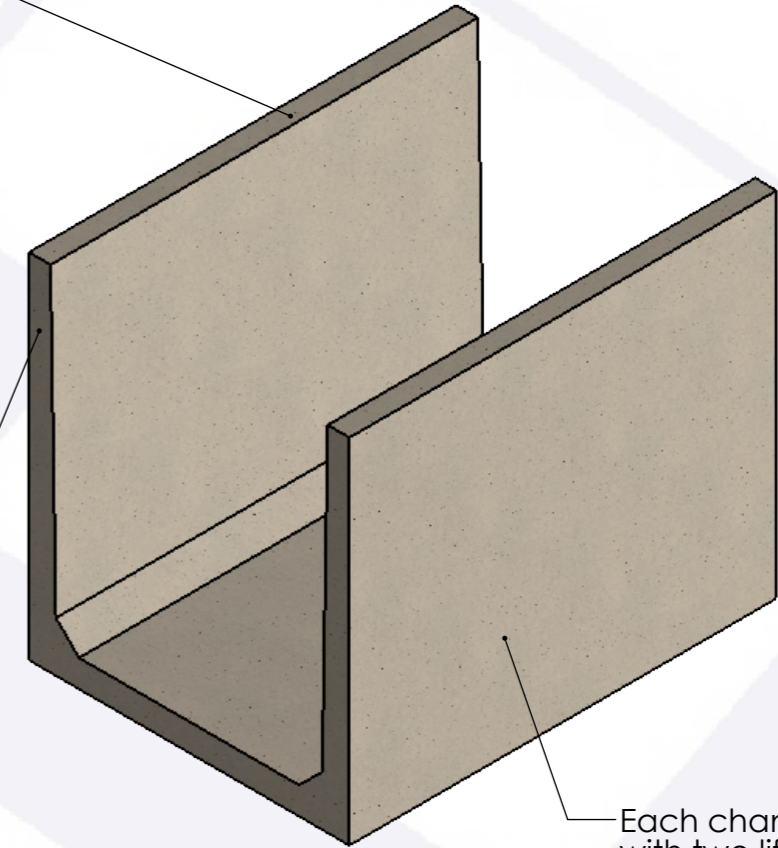


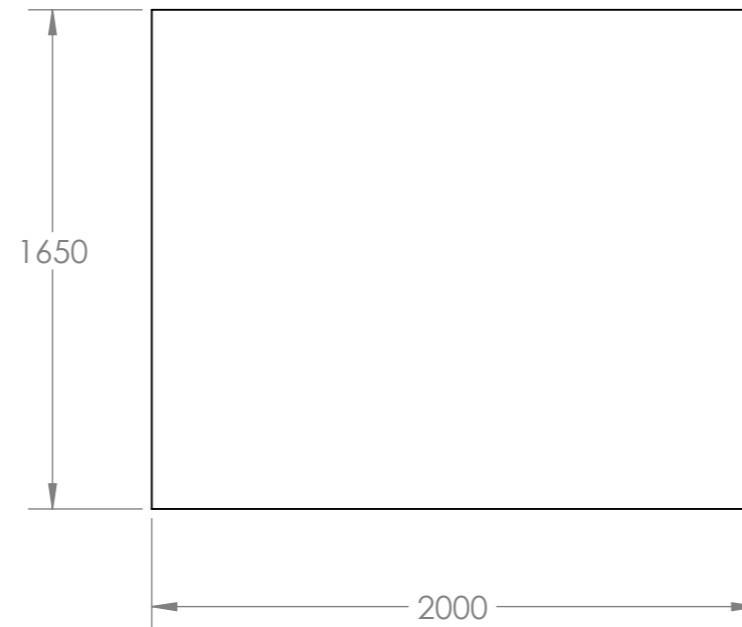
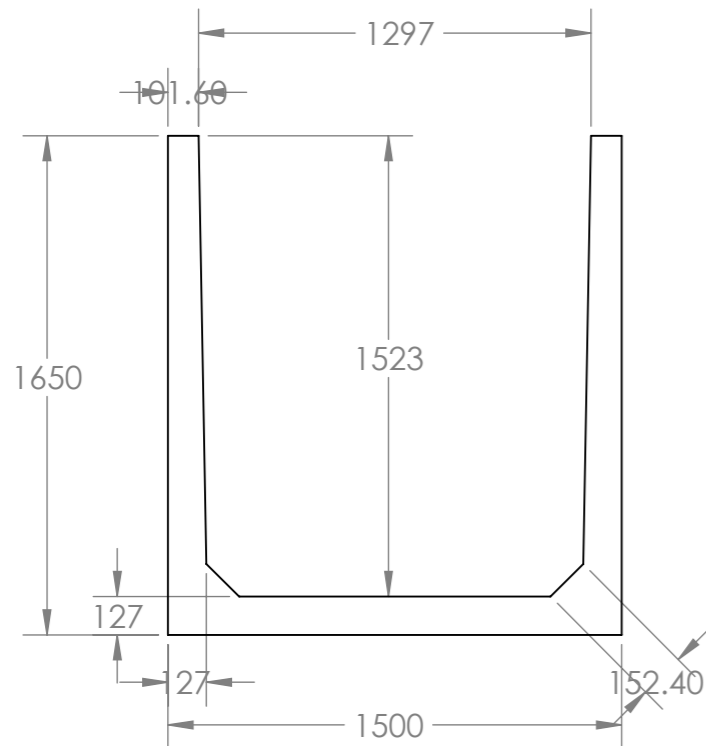
| SIZES AVAILABLE | | | | |
|-----------------|------------|------------|------------|--------|
| Product Code | Width | Height | Length | Weight |
| SC0585-0710 | 28"/0.710m | 23"/0.585m | 96"/2.440m | 1.220T |
| SC1150-1100 | 43"/1.100m | 45"/1.150m | 96"/2.440m | 2.600T |
| SC1150-1530 | 60"/1.530m | 45"/1.150m | 96"/2.440m | 2.570T |
| SC1150-1830 | 72"/1.830m | 45"/1.150m | 79"/2.000m | 2.420T |
| SC1150-2000 | 79"/2.000m | 45"/1.150m | 79"/2.000m | 2.550T |
| SC1150-2440 | 96"/2.440m | 45"/1.150m | 79"/2.000m | 2.250T |
| SC1650-1100 | 43"/1.100m | 65"/1.650m | 79"/2.000m | 2.630T |
| SC1650-1500 | 59"/1.500m | 65"/1.650m | 79"/2.000m | 3.047T |
| SC1650-1830 | 72"/1.830m | 65"/1.650m | 79"/2.000m | 3.156T |



These robust precast reinforced concrete slurry channels are designed to BS5502 part 22 & BSEN1992 Part 1.



End units, tees and corner units are available for all sizes of channel, we are also able to provide solid concrete (or galvanised steel) covers and slats to suit the channels.

Each channel unit is cast with two lifting sockets in the top for easy lifting and fitting, they can be quickly laid on to a compact hard-core bed, blinded with sand or semi dry concrete.



| | | | |
|--|-----------|---|----------------------------|
| DO NOT SCALE DRAWING | | REVISION | |
|  | |  | |
| CRAVEN CONCRETE LTD Manufacture, Supply & Installation of Quality Concrete For Agriculture And Industry WWW.CRAVENCONCRETE.CO.UK | | | |
| TITLE: 59" X 65" SLURRY CHANNEL | | | |
| DWG NO. SC1650-1500 | | MATERIAL: CONCRETE | |
| NAME | SIGNATURE | DATE | WEIGHT: 3.047T |
| DRAWN SAM KIRBY | | 29/03/18 | TOLERANCES: +/-5mm |
| CHK'D | | | A3 SCALE:1:25 SHEET 1 OF 1 |