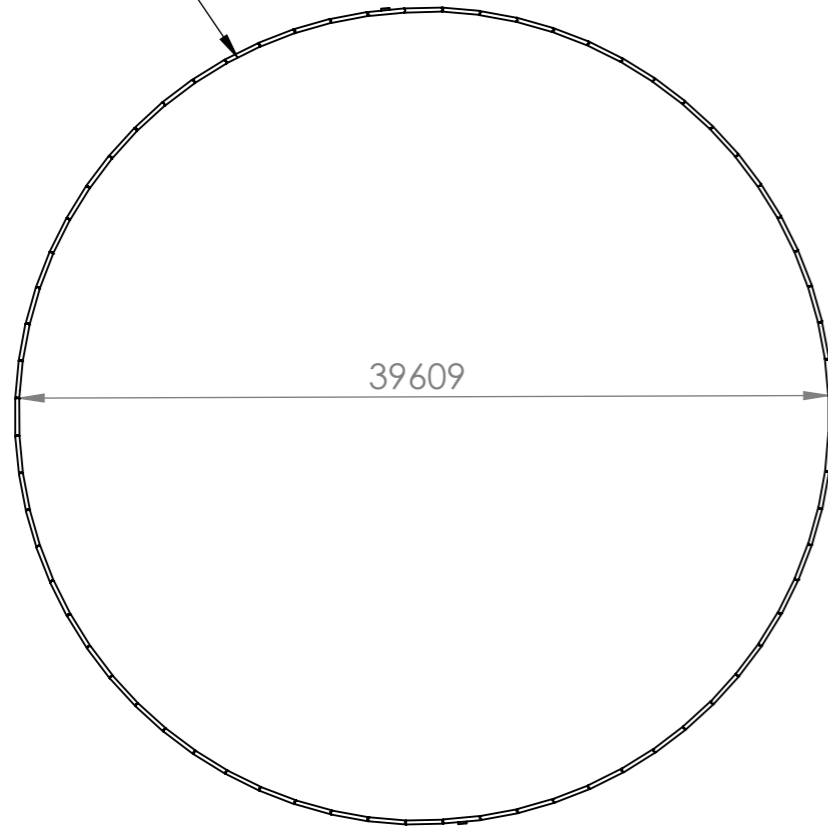
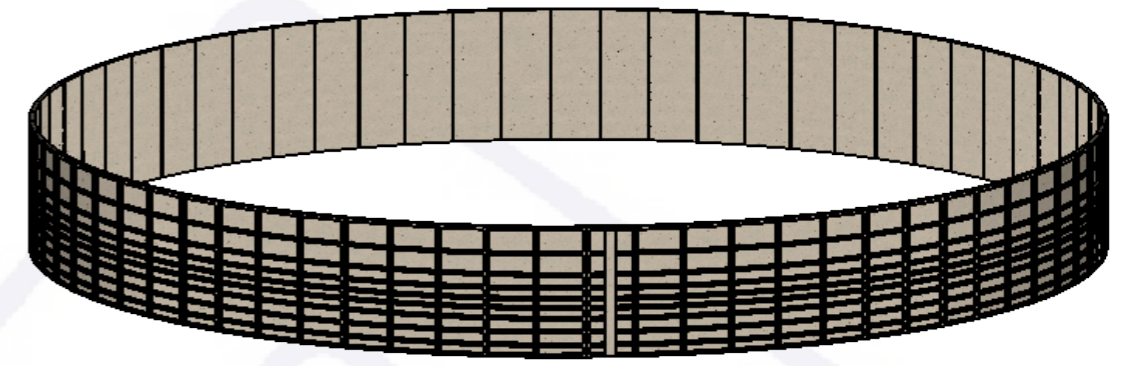
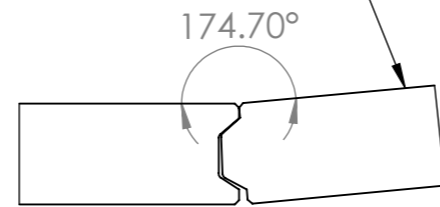


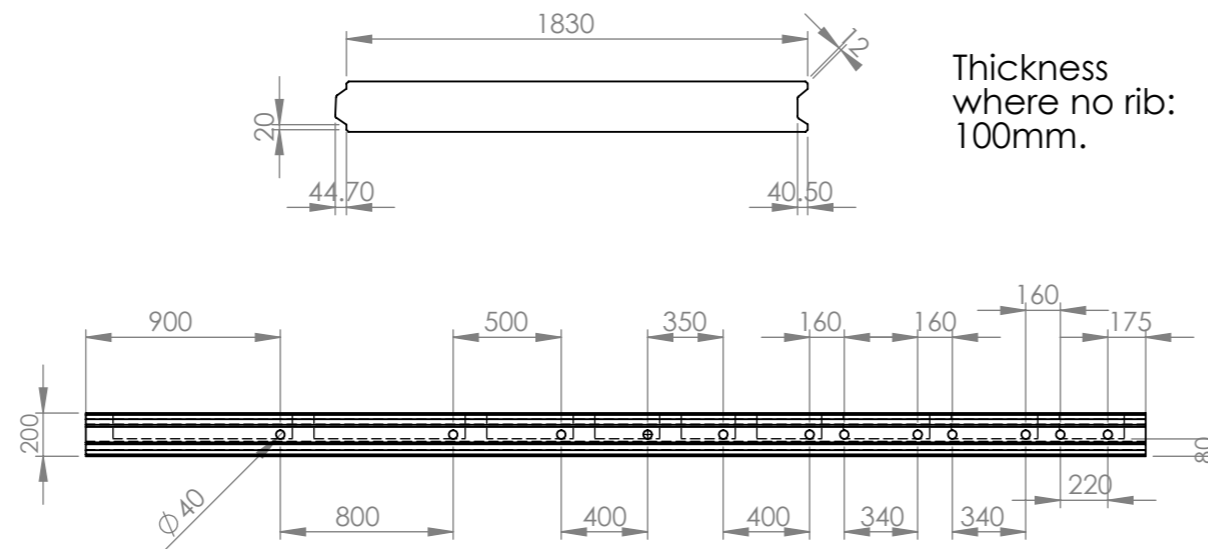
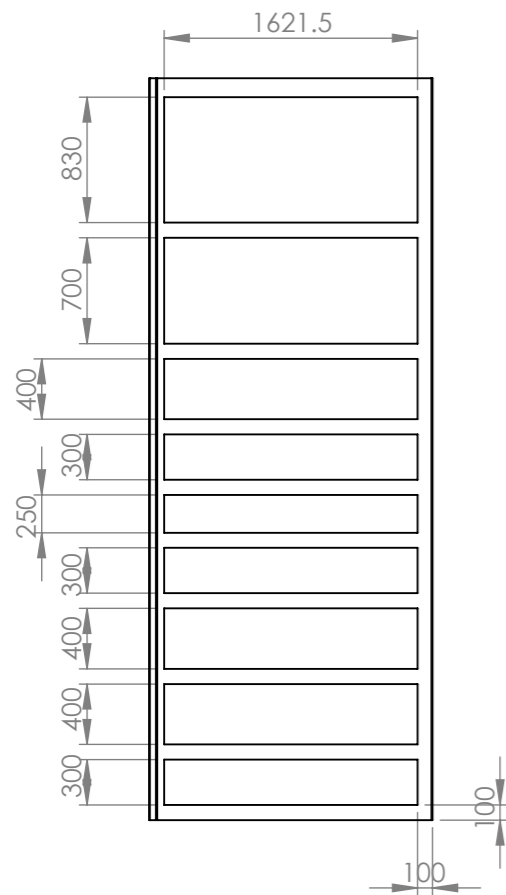
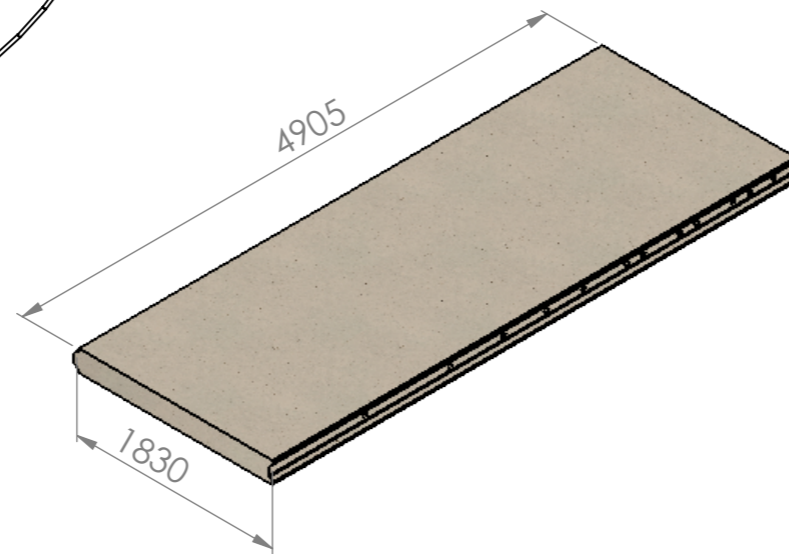
1242500 Gallons



This is how the panels fit together. We fill the void with cement grout prior to full tension,



- Manufactured from C50 strength concrete for a long and durable lifespan, they are suitable for installation above or below ground and into hillsides depending on ground conditions.
- Each section is tied to the next with plastic coated strand which continue around the store and are tensioned when the whole store is erected.
- Once the store is erected and tensioned, all joints are sealed with polyurethane mastic. All vertical joints are double sealed as is the base joint with a ring beam.



Thickness where no rib: 100mm.



DO NOT SCALE DRAWING		REVISION	
			
CRAVEN CONCRETE LTD Manufacture, Supply & Installation of Quality Concrete For Agriculture And Industry WWW.CRAVENCONCRETE.CO.UK			
TITLE:		68 PANEL SLURRY TOWER	
DWG NO. ST1830-68		MATERIAL: CONCRETE	
NAME	SIGNATURE	DATE	WEIGHT:
DRAWN SAM KIRBY		06/03/18	
CHK'D			TOLERANCES: +/-5mm
		A3	SCALE:1:500 SHEET 1 OF 1