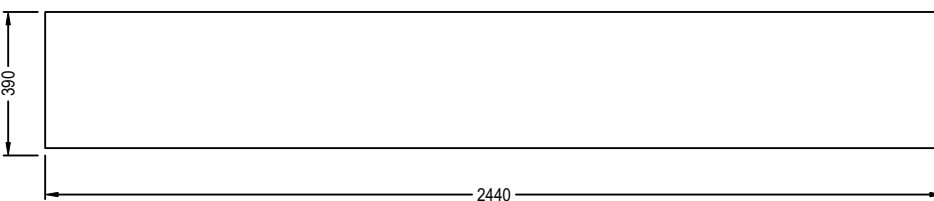
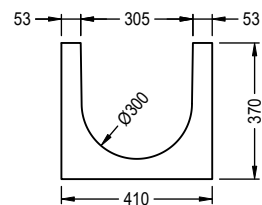
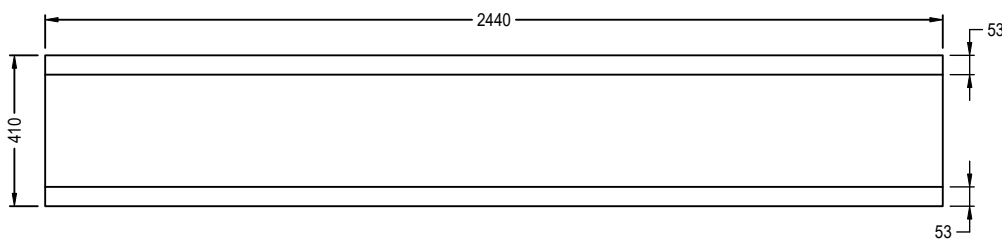
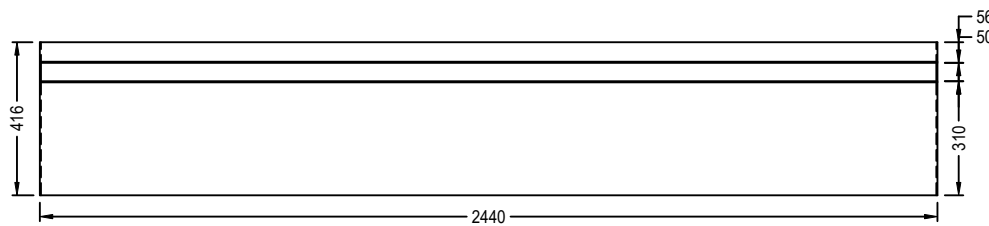
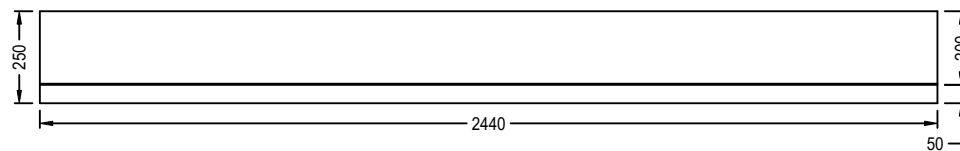
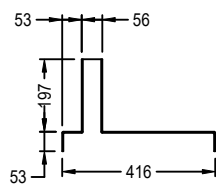
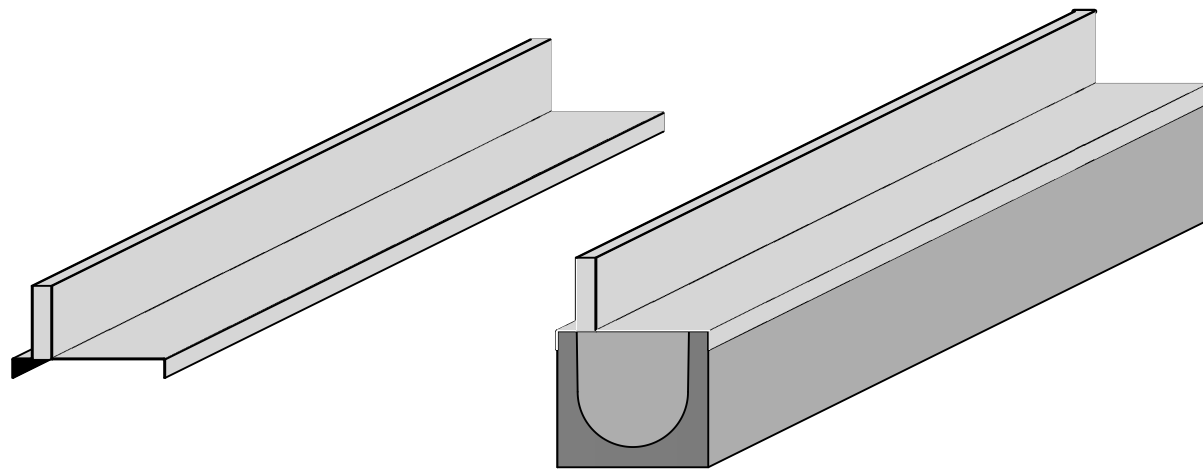
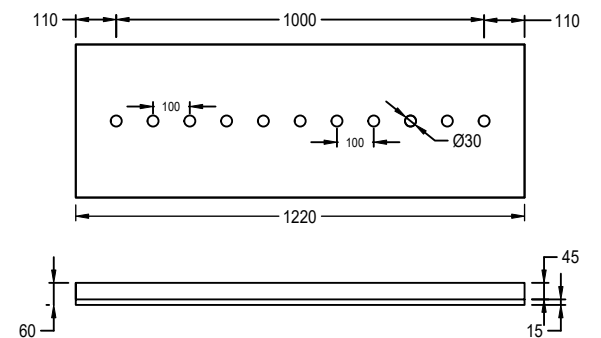
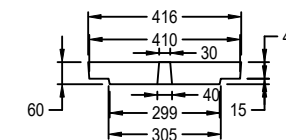
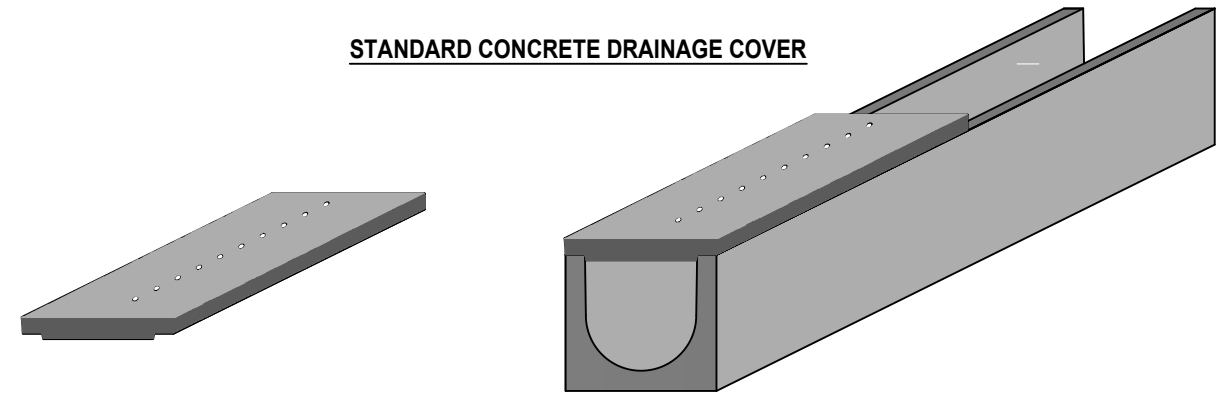


GALVANISED TOP SLOT DRAINAGE COVER



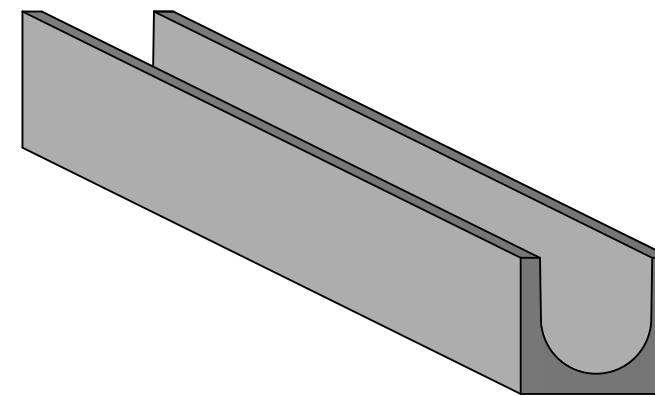
Volume of Channel - 210ltrs / 0.21m³

STANDARD CONCRETE DRAINAGE COVER



NOTES:-

- THESE PRECAST DRAINAGE UNITS ARE USED WITHIN YARD, CAR PARKS & FARM TRACKS TO DRAIN EXCESS WATER. WITH A VOLUME OF 210litres / 0.21m³ THEY ARE A QUICK AND EASY SOLUTION IN REMOVING UNWANTED WATER.
- THE CHANNELS CAN HQAVE THE STANDARD CONCRETE DRAINAGE HOLE COVERS OR THE GALVANISED TOP DRAINAGE CHANNEL COVER.



A	ISSUED FOR INFORMATION	RPH	5.5.2019		
REV MARK	DESCRIPTION	By	Date	By	Date
		CREATED		CHECKED	



DRAWING TITLE	PRECAST CHANNEL UNIT
CONTRACT	N/A
MODELLED BY	Rick Townson
CONTRACT NO	N/A
DRAWING No	CC
ISSUE DATE	17/03/2020
SCALE	N/A
REVISION No.	