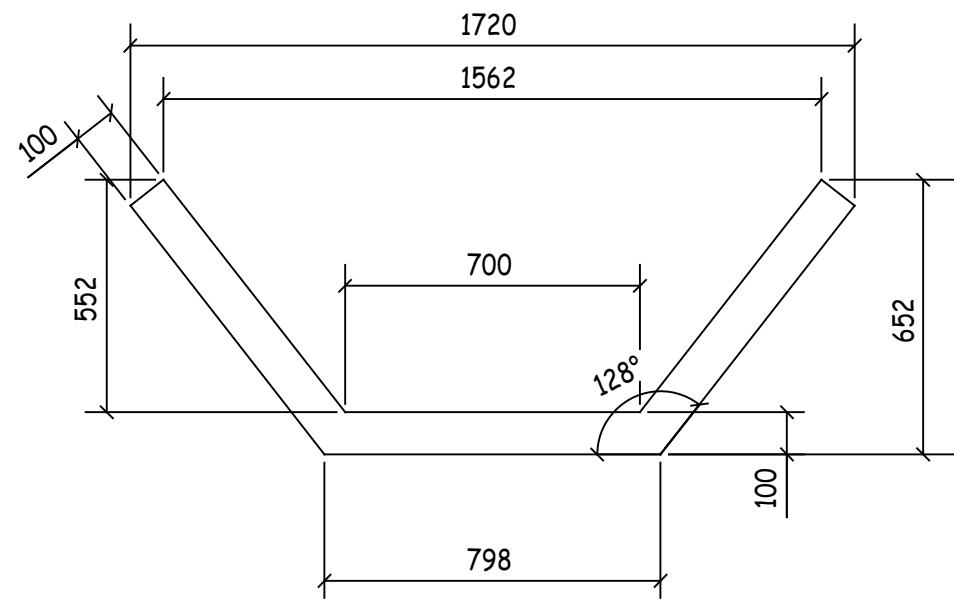
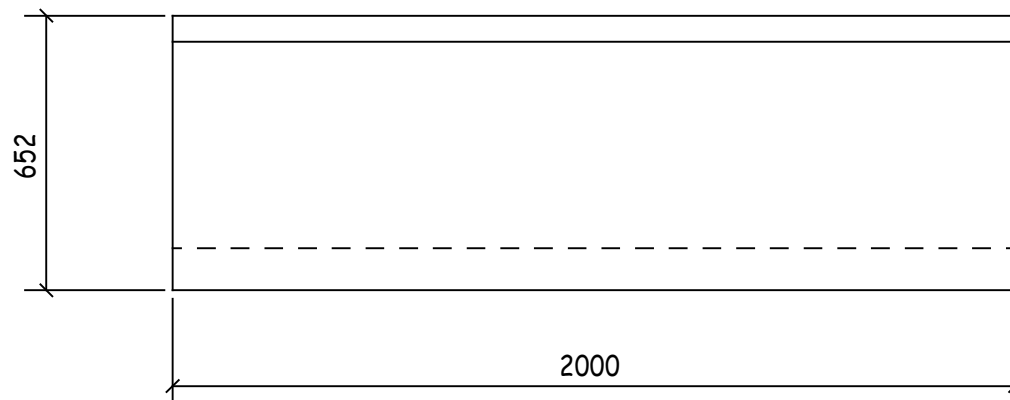
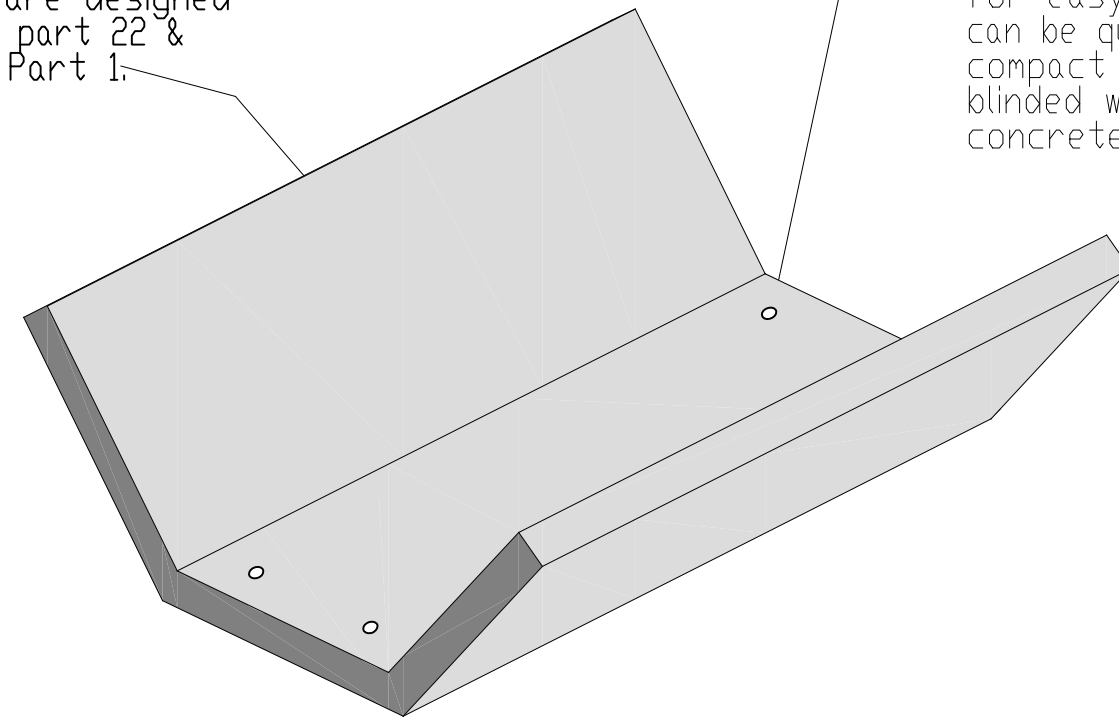


SIZES AVAILABLE				
Product Code	Width	Height	Length	Weight
WC1720-2000	68"/1.720m	25"/0.650m	79"/2.000m	1.075T



These robust precast reinforced concrete slurry & water channels are designed to BS5502 part 22 & BSEN1992 Part 1.

Each channel unit is cast with four M16 lifting sockets for easy lifting and fitting, they can be quickly laid on to a compact hard-core bed, blinded with sand or semi dry concrete.



DO NOT SCALE DRAWING		REVISION	
 <b>CRAVEN CONCRETE LTD</b> Manufacture, Supply & Installation of Quality Concrete For Agriculture And Industry <a href="http://WWW.CRAVENCONCRETE.CO.UK">WWW.CRAVENCONCRETE.CO.UK</a>			
DWG NO. SC1725-2000		MATERIAL: CONCRETE	
DRAWN	NAME RODGER HERD	SIGNATURE	DATE 29/03/18
CHK'D			WEIGHT: 1.075T TOLERANCES: +/-5mm
		A3	SCALE: 1:20 SHEET 1 OF 1