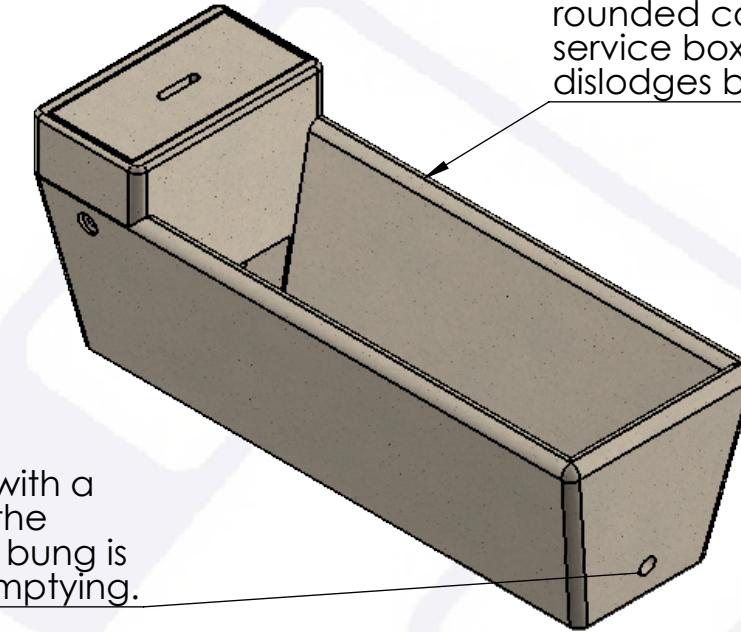
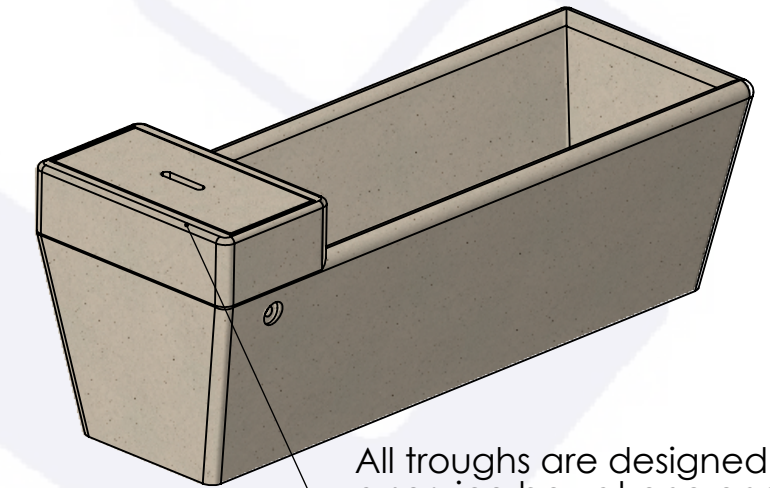


SIZES AVAILABLE					
PRODUCT CODE	CAPACITY (gallons)	LENGTH (mm)	WIDTH (mm)	DEPTH (mm)	WEIGHT (kg)
WTCT6	60	1830 (6'0")	610 (2'0")	510 (1'8")	350kg
WTCT7	200	2032 (6'8")	915 (3'0")	610 (2'0")	750kg
WTCT8	400	2540 (8'4")	1220 (4'0")	685 (2'3")	1250kg
CTR	300	1830 (6'0") Diameter		685 (2'3")	900kg

The smallest of our concrete troughs has been redesigned with smooth rounded corners and inset lid on the service box to prevent it being dislodged by livestock

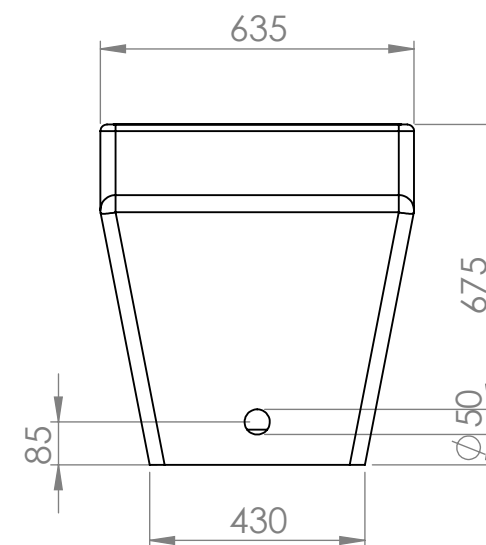
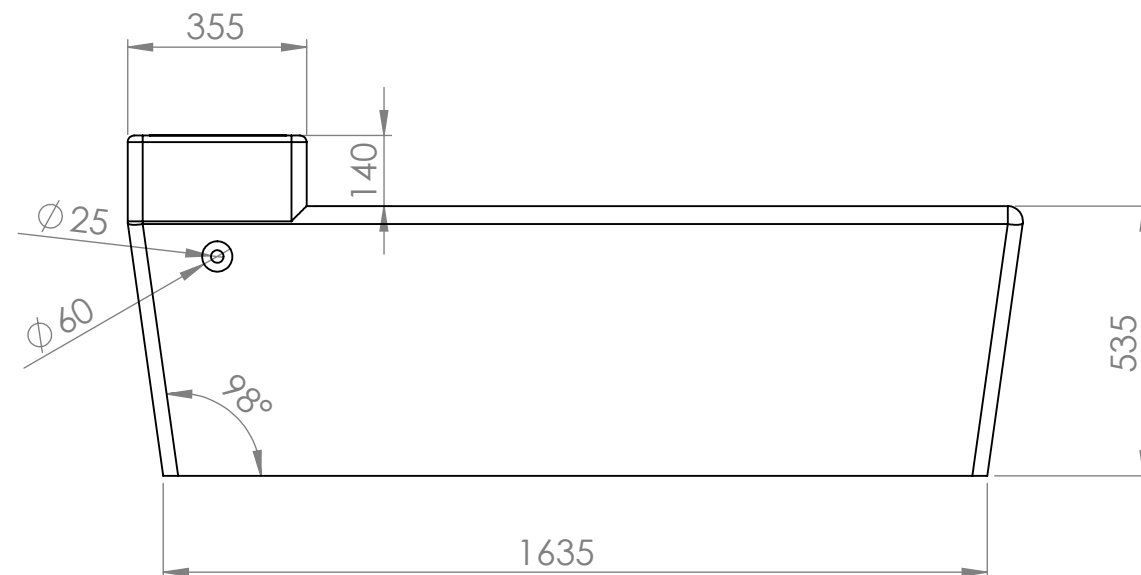
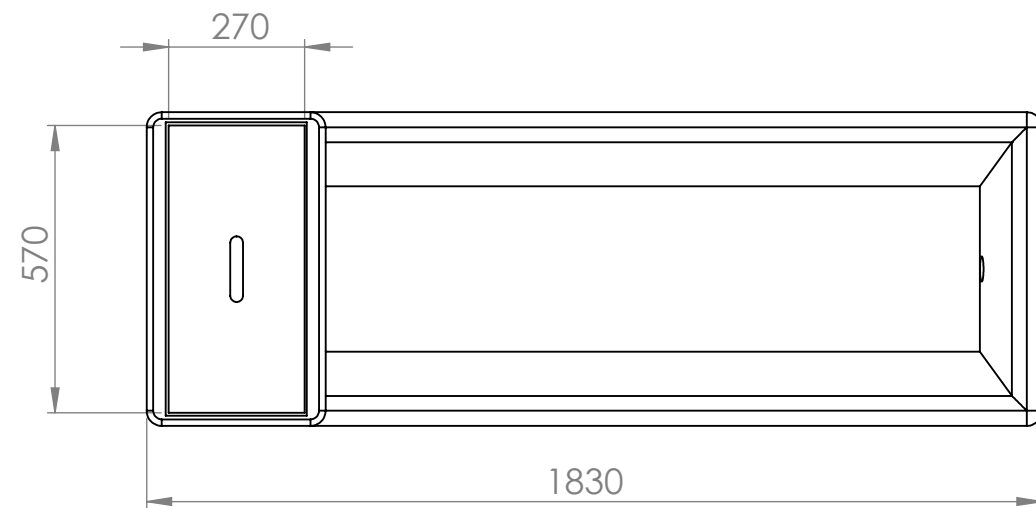


Each trough is cast with a 50mm small hole in the bottom, for which a bung is supplied, for easy emptying.



All troughs are designed with a service box at one end with a removable lid for easy access to the filling mechanism.

We manufacture four different sizes and capacity of concrete water trough, three of which are rectangular in shape, the other is the large circular type.



DO NOT SCALE DRAWING		REVISION	
 <b>Craven Concrete Ltd</b> Manufacture, Supply & Installation of Quality Concrete For Agriculture And Industry <a href="http://www.cravenconcrete.co.uk">www.cravenconcrete.co.uk</a> 		TITLE:	
		60 GALLON WATER TROUGH	
DWG NO.		MATERIAL:	
WTCT6 80g		CONCRETE	
NAME	SIGNATURE	DATE	WEIGHT:
DRAWN SAM KIRBY		13/03/18	350kg
CHK'D			TOLERANCES: +/-5mm
		A3	SCALE:1:20 SHEET 1 OF 1