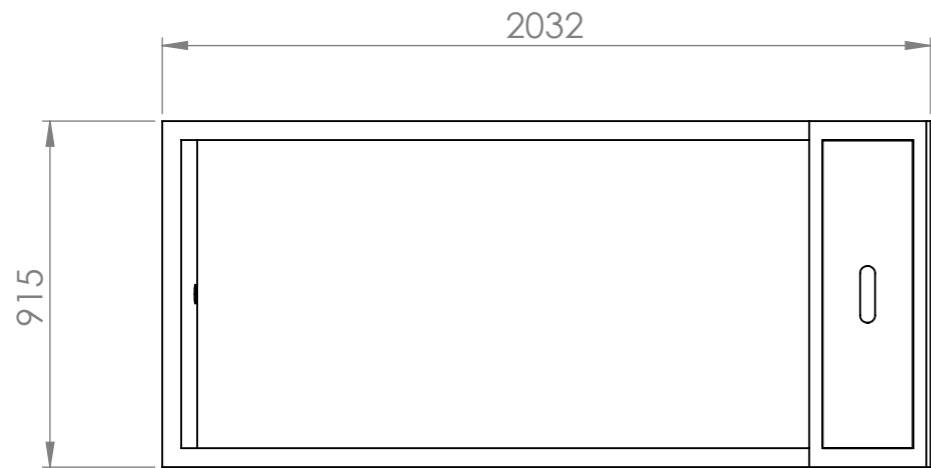
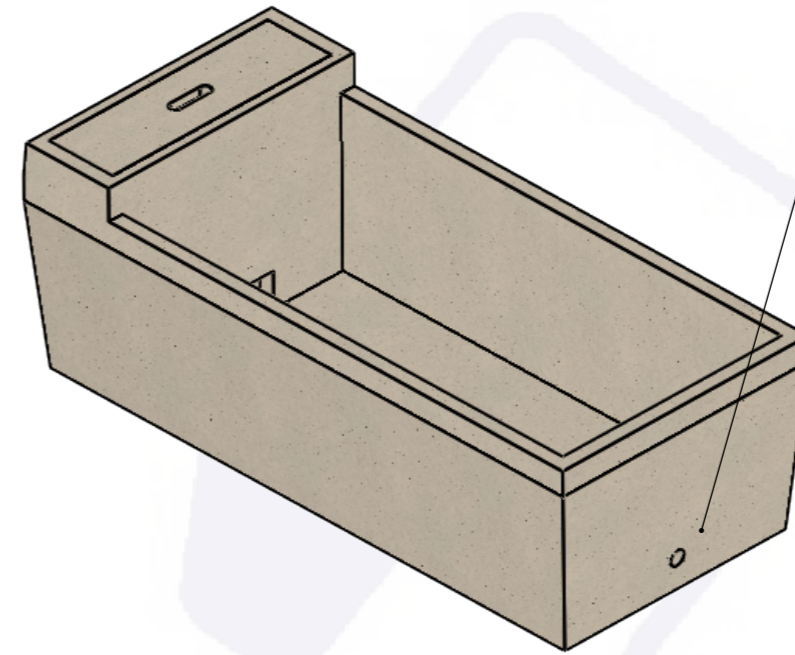
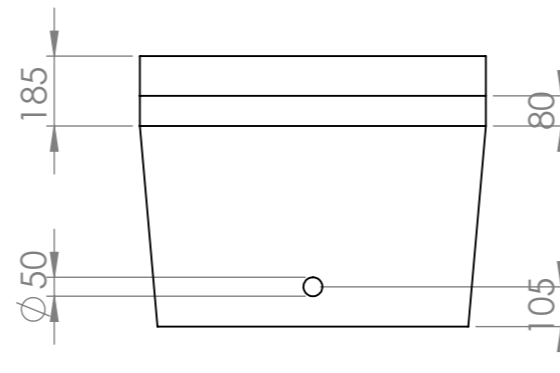
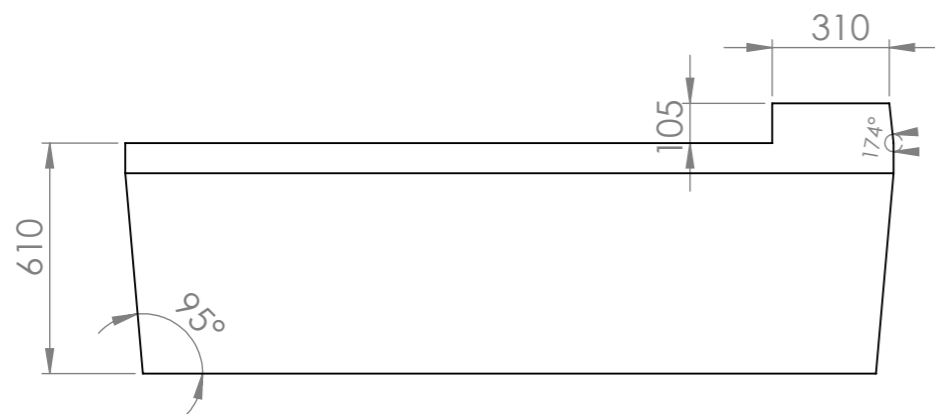


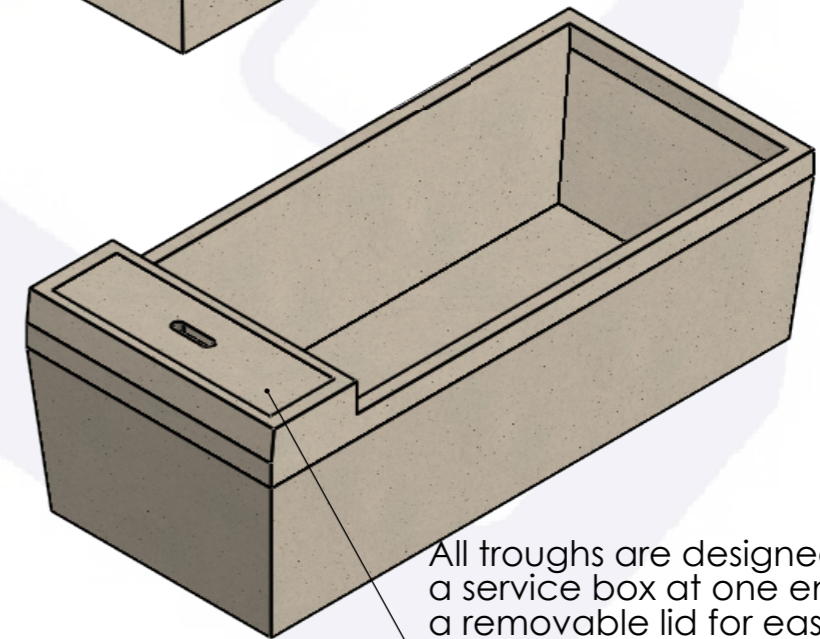
SIZES AVAILABLE					
PRODUCT CODE	CAPACITY (gallons)	LENGTH (mm)	WIDTH (mm)	DEPTH (mm)	WEIGHT (kg)
WTCT6	60	1830 (6'0")	610 (2'0")	510 (1'8")	350
WTCT7	200	2032 (6'8")	915 (3'0")	610 (2'0")	750
WTCT8	400	3540 (8'4")	1220 (4'0")	685 (2'3")	1250
CTR	300	1830 (6'0") Diameter		685 (2'3")	950



We manufacture four different sizes and capacity of concrete water trough, three of which are rectangular shape the other as the large circular type.



Each trough is cast with a 50mm small hole in the bottom, for which a bung is supplied, for easy emptying.



All troughs are designed with a service box at one end with a removable lid for easy access to the filling mechanism.

DO NOT SCALE DRAWING		REVISION	
		<b>CRAVEN CONCRETE LTD</b> Manufacture, Supply & Installation of Quality Concrete For Agriculture And Industry <a href="http://WWW.CRAVENCONCRETE.CO.UK">WWW.CRAVENCONCRETE.CO.UK</a>	
			
TITLE: WATER TROUGHS			
DWG NO. WTCT7 200g		MATERIAL: CONCRETE	
NAME	SIGNATURE	DATE	WEIGHT: 750kg
DRAWN SAM KIRBY		26/02/18	TOLERANCES: +/-5mm
CHK'D			A3 SCALE:1:20 SHEET 1 OF 1